



HiGrade Bespoke

Flexible heavy duty steel edge
for almost any design

Installation Guide

Reference: IG-HGBS-0319

Tools Required

- ✓ 13mm spanner
- ✓ 13mm drill sockets
- ✓ Drill /impact driver
- ✓ SDS drill + 10mm masonry bits
- ✓ Sash Clamp
- ✓ Level
- ✓ Tape
- ✓ String line
- ✓ Nylon Packers

Parts

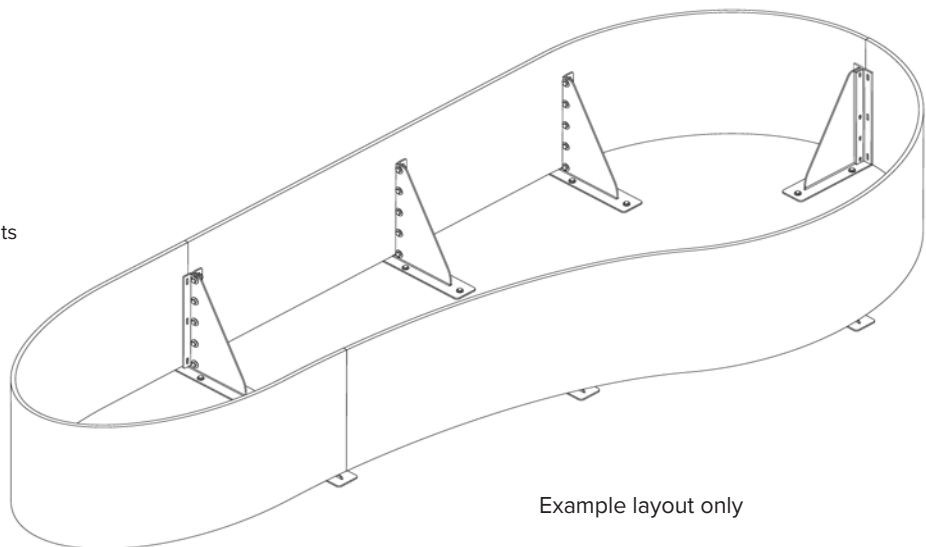
Ref Description

- Ⓐ HiGrade Edging Panel
- Ⓑ Edging Weldment Brackets
- Ⓒ Triangular Securing Bracket

Fixings (included)

Ref Description

- Ⓓ M8 x 25mm Hex Bolt
- Ⓔ M8 x 25mm Penny Washer
- Ⓕ M8 Flange Nut
- Ⓖ Self Adhesive Sealing Tape
- Ⓗ Concrete Sleeve Anchor Bolt
- Ⓖ M8 x 70mm Hex Bolt
- Ⓚ Expanding Foam (supplied)



1

Set out base

Prepare necessary concrete foundations for base of edging wall and triangular fixing brackets as per Architects/Production Drawings supplied.

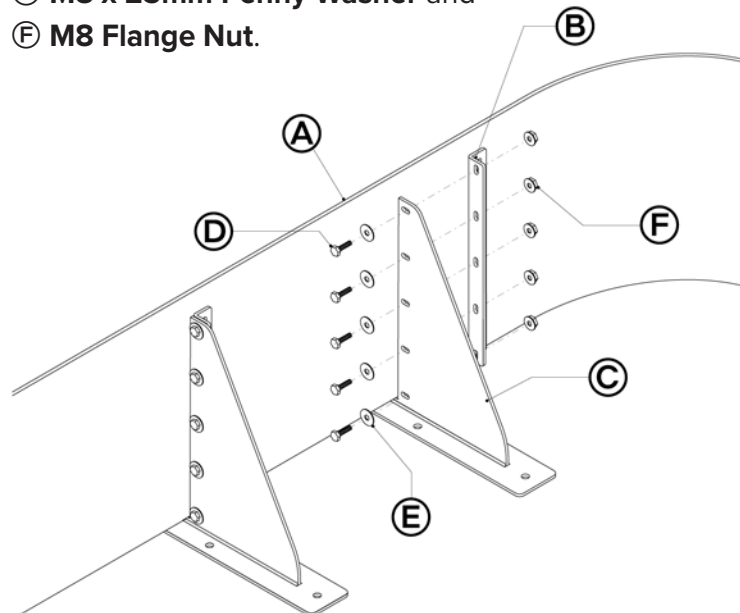
Acceptable base materials

- 300 x 300mm concrete slabs, set 150 mm deep.
- Existing brick wall or masonry
- Meshed and cage reinforced concrete
- Continuous run of concrete

2

Bolt Triangular Securing Brackets to fixed Edging Weldment Bracket

Ⓒ Bolt Triangular Securing Bracket to Ⓓ Edging Weldment Brackets using Ⓓ M8 x 25mm Hexbolt, Ⓔ M8 x 25mm Penny Washer and Ⓕ M8 Flange Nut.



PARTS LIST

Ref	Description
Ⓐ	HiGrade Edging Panel
Ⓑ	Edging Weldment Brackets
Ⓒ	Triangular Securing Bracket

FIXINGS

Ref	Description
Ⓓ	M8 x 25mm Hexbolt
Ⓔ	M8 x 20mm Penny Washer
Ⓕ	M8 Flange Nut

IMPORTANT

Do not fully tighten bolts until complete unit has been levelled and set in place.

Want more help?

Simply contact our technical support team on **01580 830688**

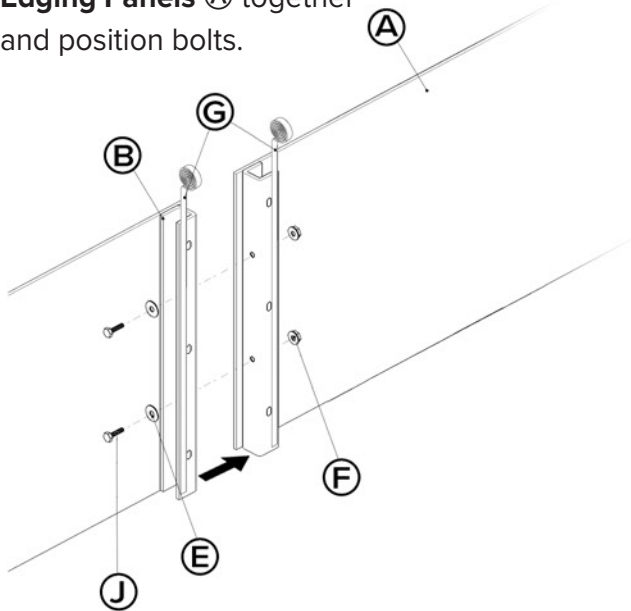
3

Joining two panels together

Apply ③ **Self Adhesive Sealing Tape** to one of the joining faces of the ② **Fixed Weldment Bracket**.

3.1

Apply **Self Adhesive Sealing Tape** ③ to the face of the **Edging Weldment Brackets** ②. Bring **HiGrade Edging Panels** ① together and position bolts.



PARTS LIST

Ref Description

- ① HiGrade Edging Panel
- ② Edging Weldment Brackets

FIXINGS

Ref Description

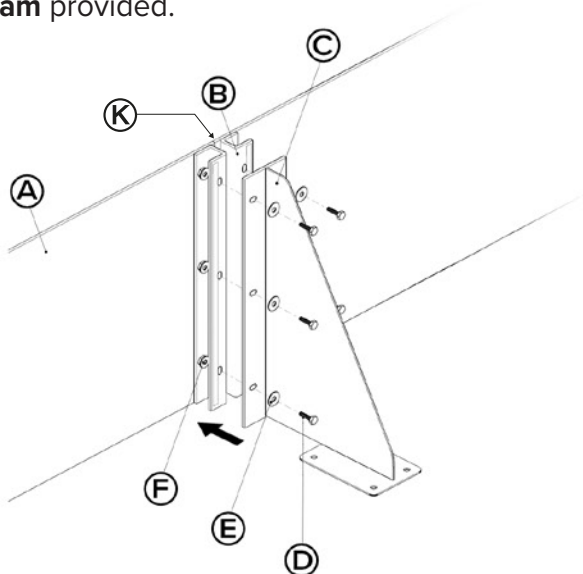
- ⑤ M8 x 20mm Penny Washer
- ⑥ M8 Flange Nut
- ③ Self Adhesive Sealing Tape
- ④ M8 x 25mm Hexbolt

IMPORTANT

Do not fully tighten bolts until complete unit has been levelled and set in place.

3.2

Align ③ **Triangular Securing Bracket**, and bolt assembly to the ② **Edging Weldment Brackets**. The gap between the two **Edging Weldment Bracket's** should be filled using the **Expanding Foam** provided.



PARTS LIST

Ref Description

- ① HiGrade Edging Panel
- ② Edging Weldment Brackets
- ③ Triangular Securing Bracket

FIXINGS

Ref Description

- ④ M8 x 25mm Hexbolt
- ⑤ M8 x 20mm Penny Washer
- ⑥ M8 Flange Nut
- ⑧ Expanding Foam

IMPORTANT

Do not fully tighten bolts until complete unit has been levelled and set in place.

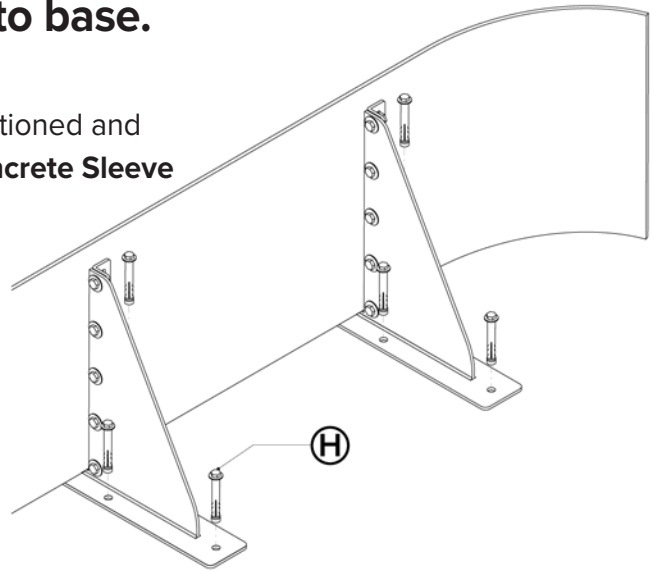
Want more help?

Simply contact our technical support team on **01580 830688**

4

Secure complete unit to base.

Once unit has been correctly positioned and levelled secure to base using **Concrete Sleeve Anchor Bolts** (H) as supplied.
Finally tighten all panel securing bolts.



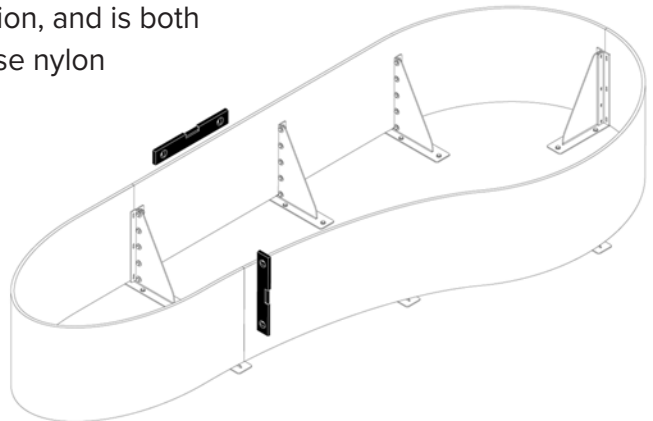
5

Position and level complete unit.

Ensure unit is in correct final location, and is both vertically and horizontally level. Use nylon packers for adjustment.

IMPORTANT

Do not fully tighten bolts until complete unit has been levelled and set in place.



Handling and hazards



HEAVY SEGMENTS!

Requires two persons to lift each segment – or mechanical lifting device.



HEAVY ITEMS!

Wear steel toe protection.



SHARP CORNERS AND EDGES!

Wear gloves



BE SAFE!

Wear high visibility clothing, hard hats, and any other PPE required on site.

DISCLAIMER

These instructions are for guidance only and the installer is responsible to use their discretion to install the products in the best possible way for their respective application. Kinley Systems will not be held liable for product failure or poor performance as a result of poor quality installation. If any errors are found in this guide please email us at sales@kinley.co.uk.

SUPPORTING DOCUMENTS

More information on the AllEdge products can be found at www.kinley.co.uk in the Resource Centre. In particular, look for the CAD Drawings, Data Sheet and the Terrace Book.

Want more help?

Simply contact our technical support team on **01580 830688**

Northpoint, Compass Park, Staplecross, E.Sussex TN32 5BS

e: sales@kinley.co.uk

www.kinley.co.uk

Kinley 

INSPIRED PLACES MADE POSSIBLE