

# Installation Guide

Reference: IG-PLMO-0417

## Planterline Modular

Steel panel planters suitable  
for street scenes or roof terraces

### Tools Required

- ✓ 8mm spanner
- ✓ 8mm drill sockets
- ✓ Drill/impact driver
- ✓ SDS drill + 10mm masonry bits
- ✓ Level
- ✓ Tape
- ✓ String line
- ✓ Nylon Packers

### Parts

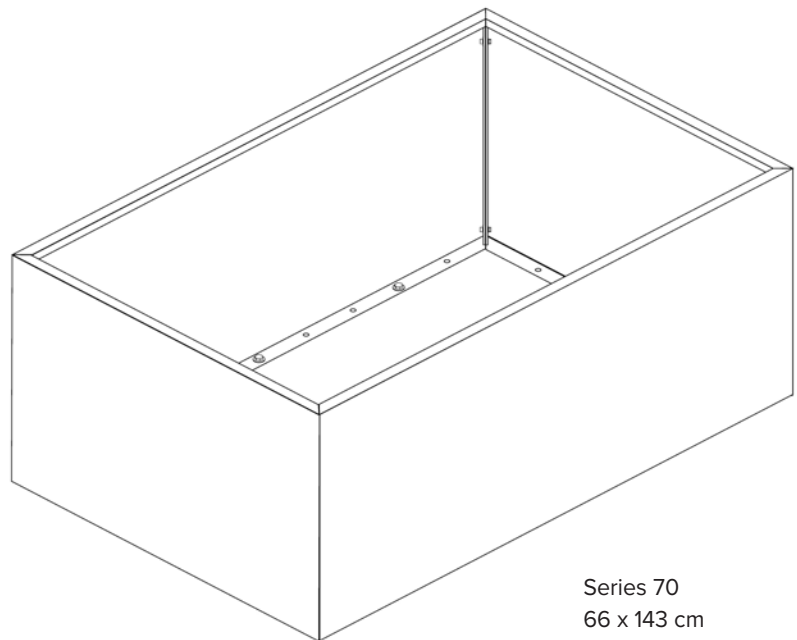
Ref Description

- Ⓐ Planterline Modular Panel

### Fixings (included)

Ref Description

- Ⓑ M5 x 16mm Hex Bolt
- Ⓒ M5 x 16mm Penny Washer
- Ⓓ M5 Flange Nut
- Ⓔ Concrete Sleeve Anchor Bolt



Series 70  
66 x 143 cm

1

## Set out the base

Prepare necessary concrete foundations for base of Planterline Modular Steel Planter as per Architects/ Production Drawings supplied.

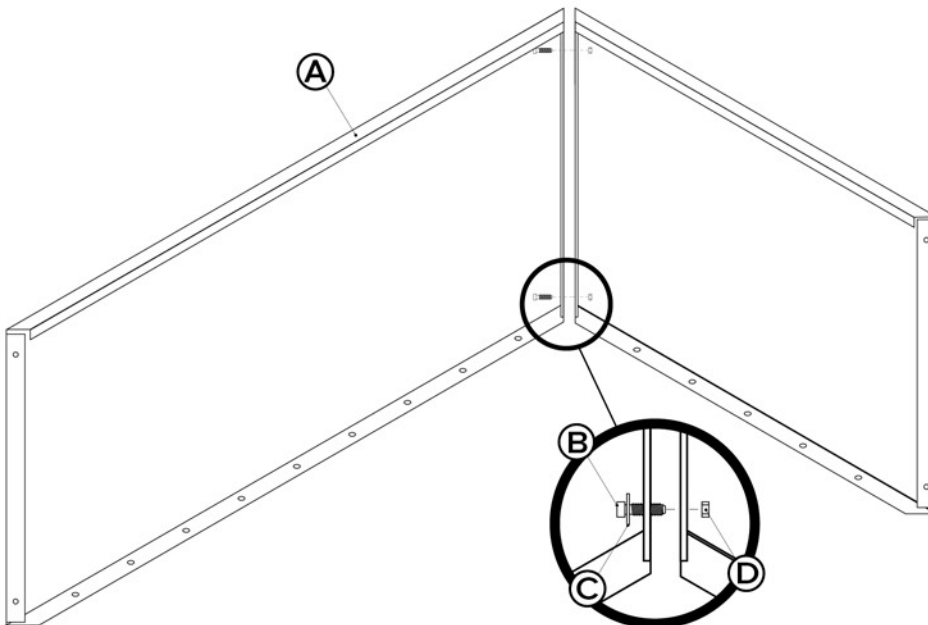
### Acceptable foundations

- 300 x 300mm concrete slabs, set 150mm deep.
- Existing brick wall or masonry
- Meshed and cage reinforced concrete
- Continuous run of concrete

2

## Joining two panels together

Align the two internal 45° end plates and secure with two **M5 x 16mm Hex Bolt** (B), **M5 x 20mm Penny Washer** (C) and **M5 Flange Nut** (D) and bolt together.



### PARTS LIST

Ref	Description
(A)	Planterline Modular Panel

### FIXINGS

Ref	Description
(B)	M5 x 16mm Hex Bolt
(C)	M5 x 20mm Penny Washer
(D)	M5 Flange Nut

### IMPORTANT

**Do not fully tighten bolts until complete unit has been levelled and set in place.**

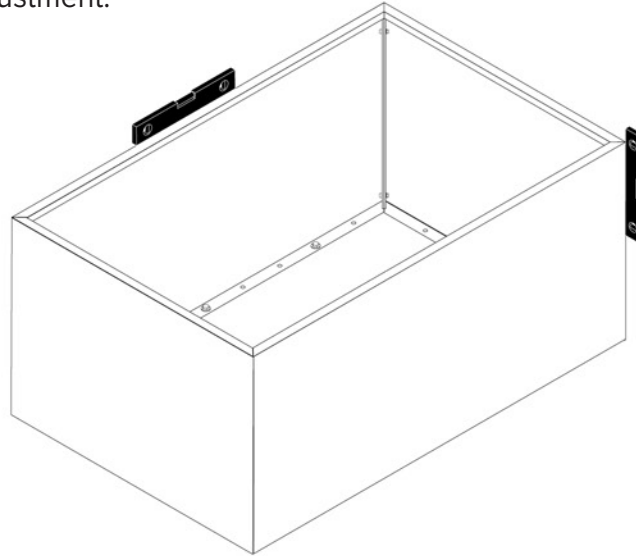
**Want more help?**

Simply contact our technical support team on **01580 830688**

3

### Position and level complete unit.

Ensure unit is in correct final location, and is both vertically and horizontally level. Use nylon packers for adjustment.



#### IMPORTANT

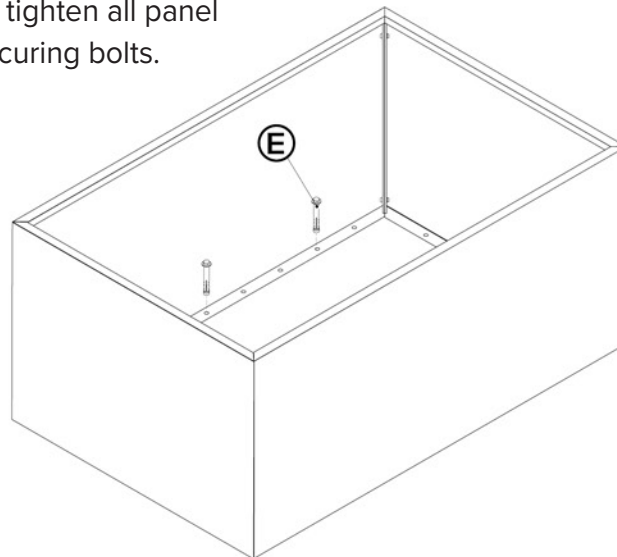
Do not fully tighten bolts until complete unit has been levelled and set in place.

4

### Secure complete unit to base.

Once unit has been correctly positioned and levelled, secure to base using **Concrete Sleeve Anchor Bolts** (E) as supplied.

Finally, tighten all panel and securing bolts.



#### FIXINGS

Ref Description

(E) Concrete Sleeve  
Anchor Bolts

Want more help?

Simply contact our technical support team on **01580 830688**

## Handling and hazards



### HEAVY SEGMENTS!

Requires two persons to lift each segment – or mechanical lifting device.



### HEAVY ITEMS!

Wear steel toe protection.



### SHARP CORNERS AND EDGES!

Wear gloves



### BE SAFE!

Wear high visibility clothing, hard hats, and any other PPE required on site.

### DISCLAIMER

These instructions are for guidance only and the installer is responsible to use their discretion to install the products in the best possible way for their respective application. Kinley Systems will not be held liable for product failure or poor performance as a result of poor quality installation. If any errors are found in this guide please email us at [sales@kinley.co.uk](mailto:sales@kinley.co.uk).

### SUPPORTING DOCUMENTS

More information on the Planterline Modular products can be found at [www.kinley.co.uk](http://www.kinley.co.uk) in the Resource Centre. In particular, look for the CAD Drawings, Data Sheet and the Terrace Book.

### Want more help?

Simply contact our technical support team on **01580 830688**

Northpoint, Compass Park, Staplecross, E.Sussex TN32 5BS

e: [sales@kinley.co.uk](mailto:sales@kinley.co.uk)

[www.kinley.co.uk](http://www.kinley.co.uk)