



# SpiraPave + VersiJack

Height and slope adjustable pedestal  
systems for decking and paving

## Installation Guide

Reference: IG-SPVJ-0317

### Tools Required

- ✓ String line/Laser line
- ✓ Saw
- ✓ Level
- ✓ Cordless screwdriver (for some applications)



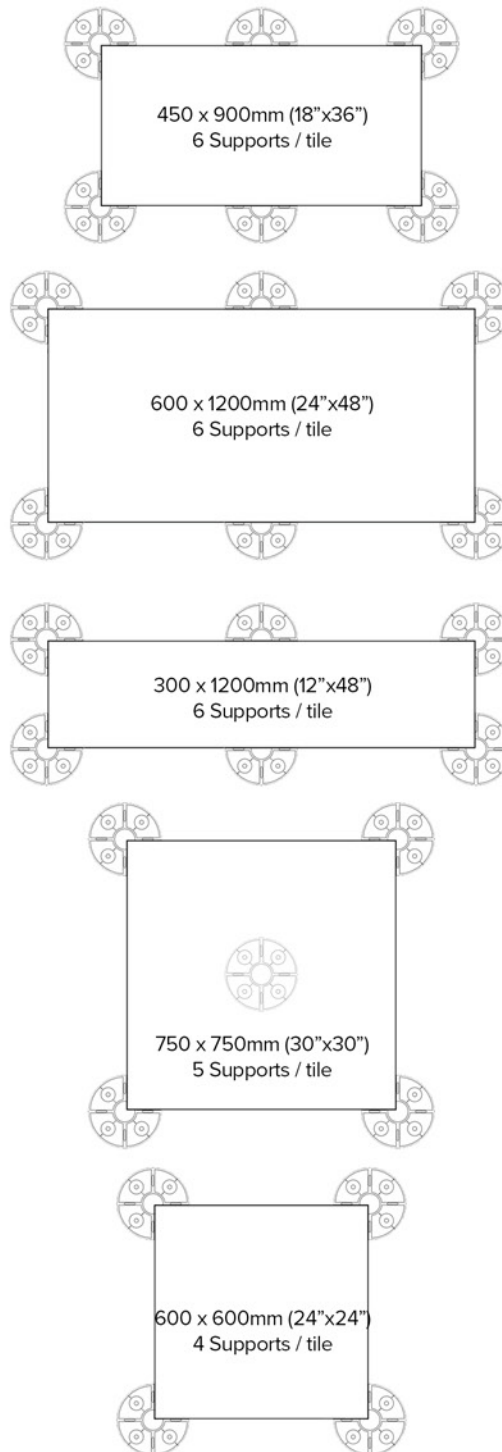
# 1

## Determine quantities

Measure the total area to determine the number of pedestals required.

**Decking:** Typically 4-5 per square metre, supporting the bearers at 600mm centres.

**Tiles:** The number of support points per tile is shown below.



### Note

- Suggested pedestals layout only. Pedestal quantities should be checked with the paving/decking manufacturer.

Want more help?

Simply contact our technical support team on **01580 830688**

## 2

### Position pedestals

Use string or laser lines to mark the intersections of the corners of each tile to be laid or to mark the centre line of each bearer/joist.

Adjust any Base Slope or Top Slope Correctors to compensate for any fall in the floor slab. Fit Bearer Holders, Joists Clips and Spacer Tabs as required.

#### Note

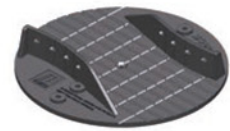
- If laying tiles, use 1-2mm rubber shims as required to ensure each tile is level



Base Slope Corrector



Top Slope Corrector



Bearer Holder



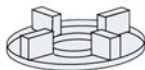
Spacer Tab

#### 2.1

### Tiles and Spacer Tabs

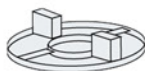
When laying tiles near walls or corners two or all four spacers on the pre-scored Tab must be broken off. When laying near corners, the pedestals must be moved away from the wall and positioned inside the perimeter of the tile as shown below.

#### Tab Removal



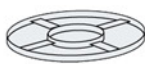
(A)

Remove 0 Tabs  
for laying tiles away from walls and corners



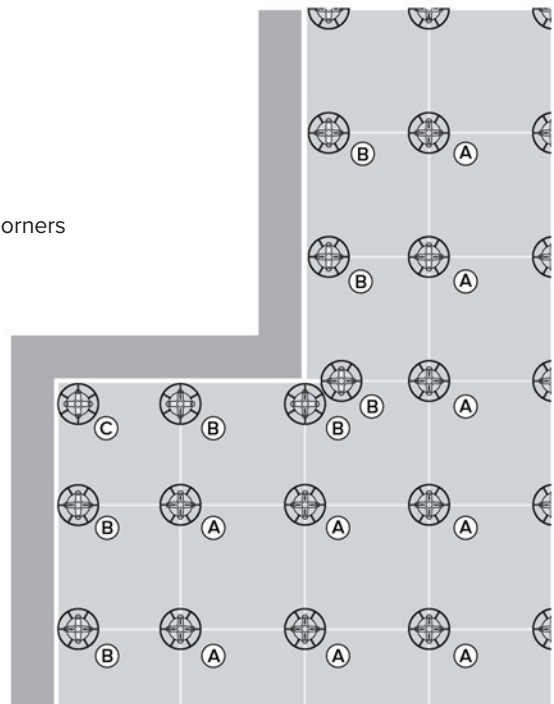
(B)

Remove 2 Tabs  
for laying tiles along walls corners



(C)

Remove 4 Tabs  
for laying tiles at corners



3

## Lay tiles/bearers/joists

Lay tiles/bearers/joists on pedestals, adjusting pedestals up or down as required to ensure tiles/bearers/joists are laid level.

For tiles, lay the first in a corner and subsequent tiles along a wall edge, then proceed with the rest of the installation.



4

## Bearer precautions

Be sure to screw the bearers into the eyelets in the top of the pedestals to ensure stable floor support, and anchor bearers to all perimeter walls using metal brackets.

The installation is now ready for Terrafina composite deck boards.



**Want more help?**

Simply contact our technical support team on **01580 830688**

## Handling and hazards



### **BE SAFE!**

Wear high visibility clothing, hard hats, and any other PPE required on site.

### **DISCLAIMER**

These instructions are for guidance only and the installer is responsible to use their discretion to install the products in the best possible way for their respective application. Kinley Systems will not be held liable for product failure or poor performance as a result of poor quality installation. If any errors are found in this guide please email us at [sales@kinley.co.uk](mailto:sales@kinley.co.uk).

### **SUPPORTING DOCUMENTS**

More information on the Pedestal products can be found at [www.kinley.co.uk](http://www.kinley.co.uk) in the Resource Centre. In particular, look for the CAD Drawings, Data Sheet and the Terrace Book.

### **Want more help?**

Simply contact our technical support team on **01580 830688**

Northpoint, Compass Park, Staplecross, E.Sussex TN32 5BS

e: [sales@kinley.co.uk](mailto:sales@kinley.co.uk)

[www.kinley.co.uk](http://www.kinley.co.uk)



INSPIRED PLACES MADE POSSIBLE