

# Installation Guide

Reference: IG-HGBS-0517

## HiGrade Bespoke

Pre-formed heavy duty steel  
raised planter system

### Tools Required

- ✓ 13mm spanner
- ✓ 13mm drill sockets
- ✓ Drill /impact driver
- ✓ SDS drill + 10mm masonry bits
- ✓ Sash Clamp
- ✓ Level
- ✓ Tape
- ✓ String line
- ✓ Nylon Packers

### Parts

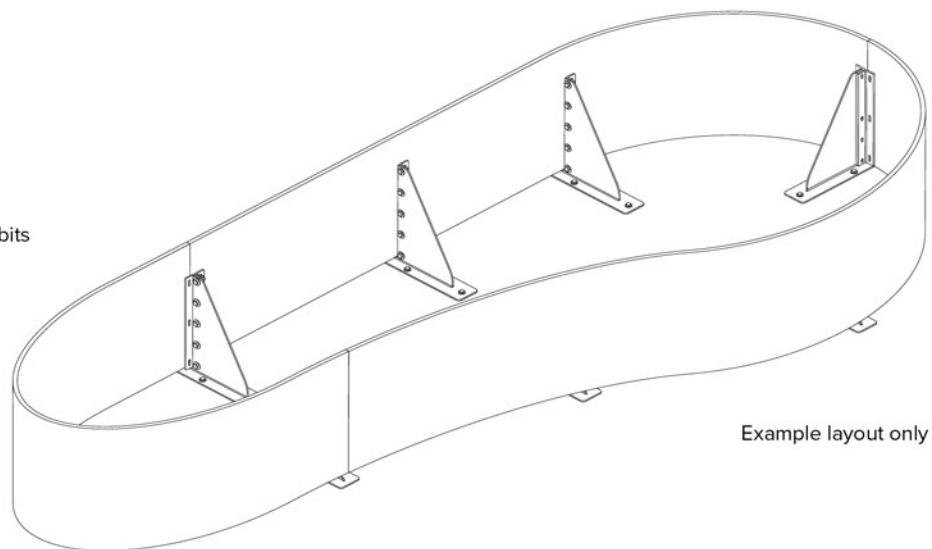
#### Ref Description

- Ⓐ HiGrade Edging Panel
- Ⓑ Edging Weldment Brackets
- Ⓒ Triangular Securing Bracket

### Fixings (included)

#### Ref Description

- Ⓓ M8 x 25mm Hex Bolt
- Ⓔ M8 x 25mm Penny Washer
- Ⓕ M8 Flange Nut
- Ⓖ Self Adhesive Sealing Tape
- Ⓗ Concrete Sleeve Anchor Bolt
- Ⓖ M8 x 70mm Hex Bolt



Example layout only

1

## Set out base

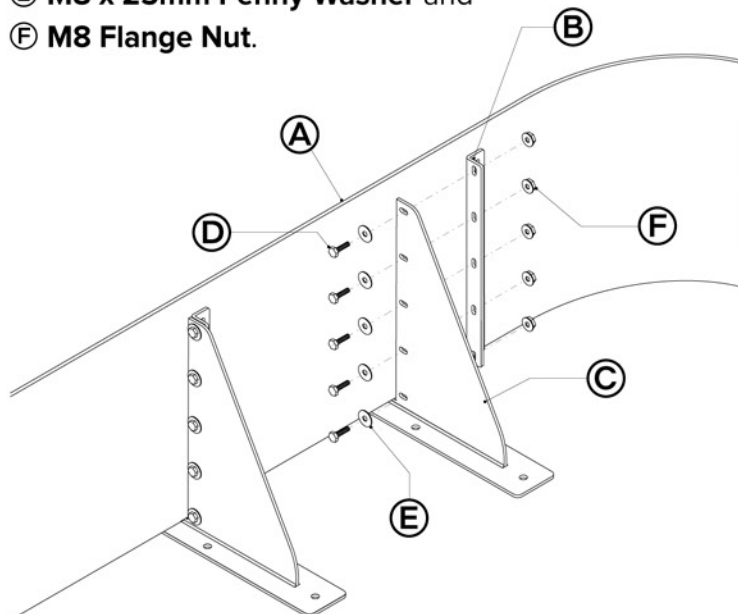
Prepare necessary concrete foundations for base of edging wall and triangular fixing brackets as per Architects/Production Drawings supplied.

Kinley recommend a minimum concrete depth of 150 mm for the planter walls and all fixings to be 100 mm away from the edge of the concrete. We recommend a continuous concrete race or concrete pads under the footplate. The final design and specification of the concrete foundation should be confirmed by the project engineer.

2

## Bolt Triangular Securing Brackets to fixed Edging Weldment Bracket

© Bolt Triangular Securing Bracket to © Edging Weldment Brackets using © M8 x 25mm Hex Bolt, © M8 x 25mm Penny Washer and © M8 Flange Nut.



### PARTS LIST

Ref	Description
A	HiGrade Edging Panel
B	Edging Weldment Brackets
C	Triangular Securing Bracket

### FIXINGS

Ref	Description
D	M8 x 25mm Hex Bolt
E	M8 x 25mm Penny Washer
F	M8 Flange Nut

### IMPORTANT

Do not fully tighten bolts until complete unit has been levelled and set in place.

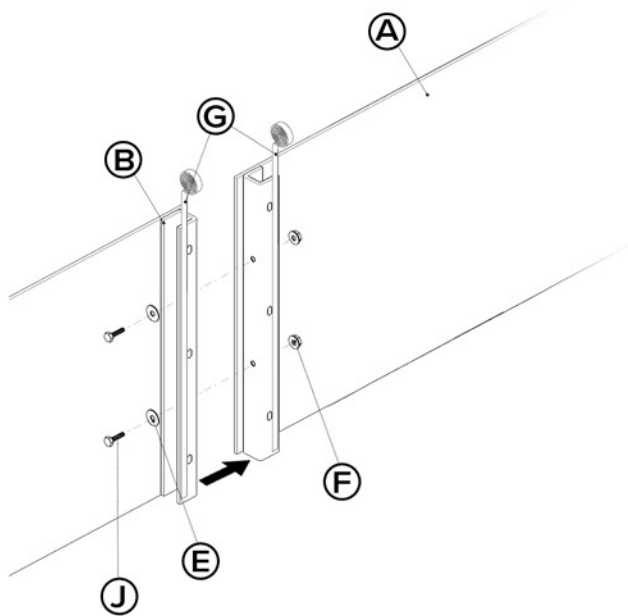
We recommend using external grade sealant at all fixing holes.

Want more help?

Simply contact our technical support team on 01580 830688

### 3 Joining two panels together

3.1 Apply **Self Adhesive Sealing Tape** (G) to the face of the **Edging Weldment Brackets** (B). Bring **HiGrade Edging Panels** (A) together and position bolts.



**PARTS LIST**

Ref	Description
(A)	HiGrade Edging Panel
(B)	Edging Weldment Brackets

**FIXINGS**

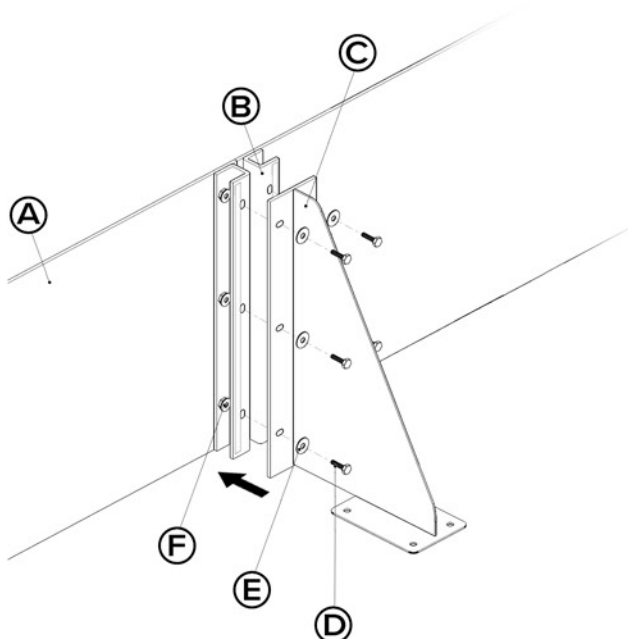
Ref	Description
(E)	M8 x 25mm Penny Washer
(F)	M8 Flange Nut
(G)	Self Adhesive Sealing Tape
(J)	M8 x 70mm Hex Bolt

**IMPORTANT**

Do not fully tighten bolts until complete unit has been levelled and set in place.

We recommend using external grade sealant at all fixing holes.

3.2 Align **Triangular Securing Bracket** (C), and bolt assembly to the **Edging Weldment Brackets** (B).



**PARTS LIST**

Ref	Description
(A)	HiGrade Edging Panel
(B)	Edging Weldment Brackets
(C)	Triangular Securing Bracket

**FIXINGS**

Ref	Description
(D)	M8 x 25mm Hex Bolt
(E)	M8 x 25mm Penny Washer
(F)	M8 Flange Nut

**IMPORTANT**

Do not fully tighten bolts until complete unit has been levelled and set in place.

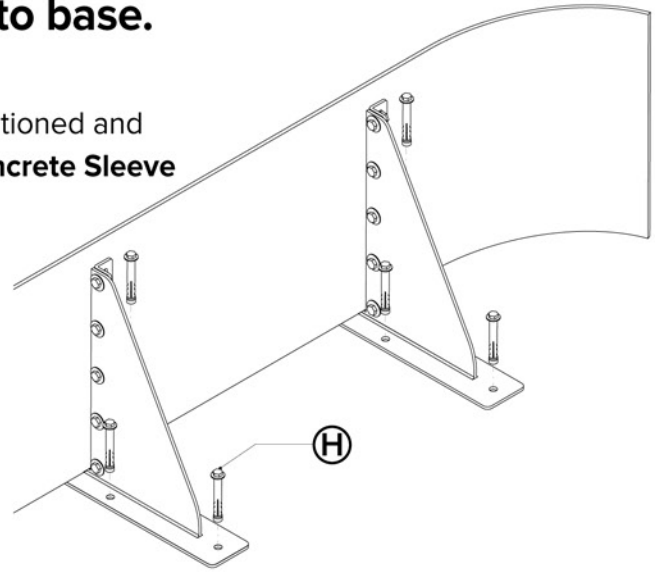
We recommend using external grade sealant at all fixing holes.

Want more help?  
Simply contact our technical support team on 01580 830688

4

**Secure complete unit to base.**

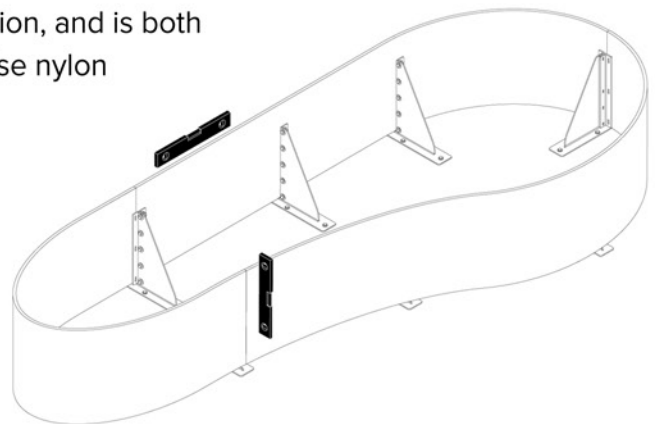
Once unit has been correctly positioned and levelled secure to base using **Concrete Sleeve Anchor Bolts** Ⓜ as supplied. Finally tighten all panel securing bolts.



5

**Position and level complete unit.**

Ensure unit is in correct final location, and is both vertically and horizontally level. Use nylon packers for adjustment.



**IMPORTANT**

**Do not fully tighten bolts until complete unit has been levelled and set in place.**

**We recommend using external grade sealant at all fixing holes.**

**HANDLING AND HAZARDS**



**HEAVY SEGMENTS!**  
Requires two persons to lift each segment – or mechanical lifting device.



**HEAVY ITEMS!**  
Wear steel toe protection.



**SHARP CORNERS AND EDGES!**  
Wear gloves



**BE SAFE!**  
Wear high visibility clothing, hard hats, and any other PPE required on site.

**DISCLAIMER**

These instructions are for guidance only and the installer is responsible to use their discretion to install the products in the best possible way for their respective application. Kinley Systems will not be held liable for product failure or poor performance as a result of poor quality installation. If any errors are found in this guide please email us at sales@kinley.co.uk.

**SUPPORTING DOCUMENTS**

More information on the HiGrade Bespoke products can be found at [www.kinley.co.uk](http://www.kinley.co.uk) in the Resource Centre. In particular look for the CAD Drawings, Data Sheet (DS-HGBS) and the Terrace Book (BR-TB).

**Want more help?**

Simply contact our technical support team on 01580 830688

Northpoint, Compass Park, Staplecross, E.Sussex TN32 5BS  
e: sales@kinley.co.uk  
www.kinley.co.uk