

# Installation Guide

Reference: IG-PLBS-0417

## Planterline Bespoke

Pre-formed folded steel  
raised planter system

### Tools Required

- ✓ 13mm spanner
- ✓ 13mm drill sockets
- ✓ Drill /impact driver
- ✓ SDS drill + 10mm masonry bits
- ✓ Sash clamp
- ✓ Level
- ✓ Tape
- ✓ String line
- ✓ Nylon Packers

### Parts

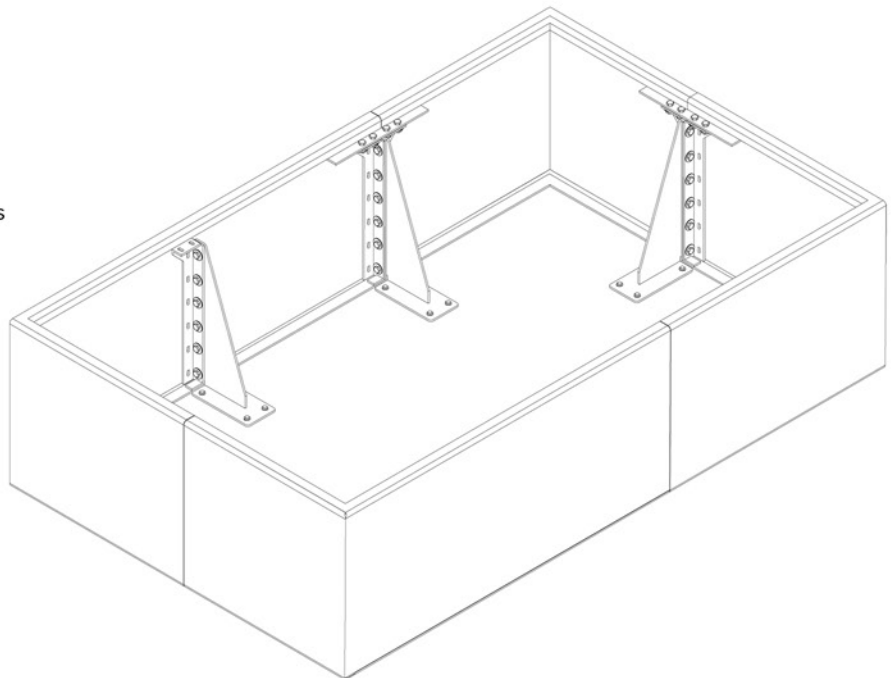
#### Ref Description

- Ⓐ Planterline Bespoke Panel
- Ⓑ Panel Weldment Bracket
- Ⓒ Triangular Support Bracket
- Ⓓ Panel Joining Section

### Fixings (included)

#### Ref Description

- Ⓔ M8 x 30mm Hex Bolt
- Ⓕ M8 x 25mm Penny Washer
- Ⓖ M8 Flange Nut
- Ⓗ Concrete Sleeve Anchor Bolt
- Ⓖ Self Adhesive Sealing Tape 15 x 5mm



1

## Set out the base

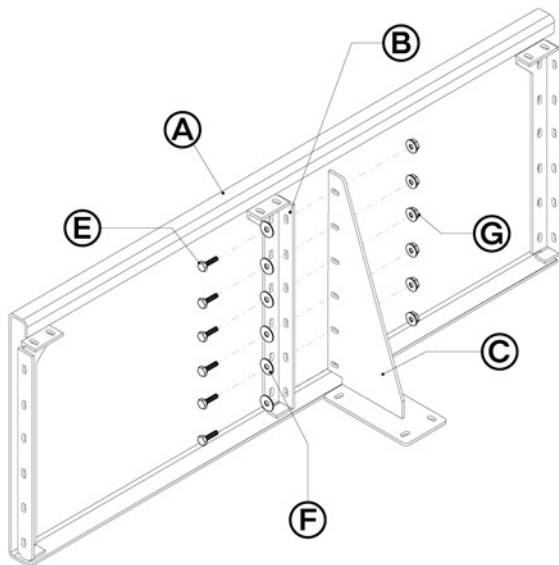
Prepare necessary concrete foundations for base of Planterline Bespoke Steel Planter as per Architects/ Production Drawings supplied.

Kinley recommend a minimum concrete depth of 150 mm for the planter walls and all fixings to be 100 mm away from the edge of the concrete. We recommend a continuous concrete race or concrete pads under the footplate. The final design and specification of the concrete foundation should be confirmed by the project engineer.

2

## Bolt Triangular Support Bracket to fixed Panel Weldment Bracket

Bolt Triangular Support Bracket (C) to Panel Weldment Bracket (B) using M8 x 25mm Hexbolt (E), M8 x 25mm Penny Washer (F) and M8 Flange Nut (G).



### PARTS LIST

Ref	Description
(A)	Planterline Bespoke Panel
(B)	Panel Weldment Bracket
(C)	Triangular Support Bracket

### FIXINGS

Ref	Description
(E)	M8 x 30mm Hex Bolt
(F)	M8 x 25mm Penny Washer
(G)	M8 Flange Nut

### IMPORTANT

Do not fully tighten bolts until complete unit has been levelled and set in place.

We recommend using external grade sealant at all fixing holes.

Want more help?

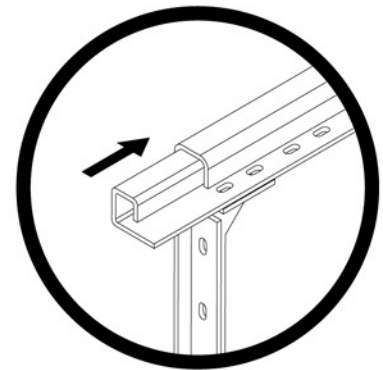
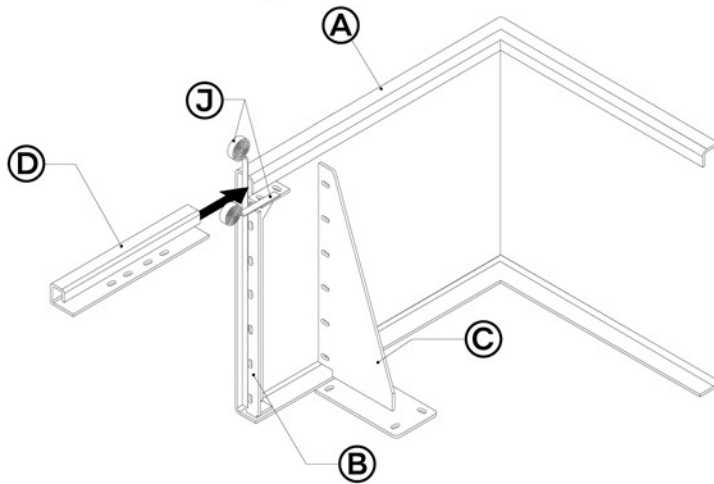
Simply contact our technical support team on 01580 830688

3

### Joining two panels together

Apply **Self Adhesive Sealing Tape** (J) to the joining face of the **Panel Weldment Bracket** (B) and to the two top tabs of the **Panel Weldment Bracket** (B). Slide **Panel Joining Section** (D) fully into one of the **Planterline Bespoke Panels** (A).

3.1



**PARTS LIST**

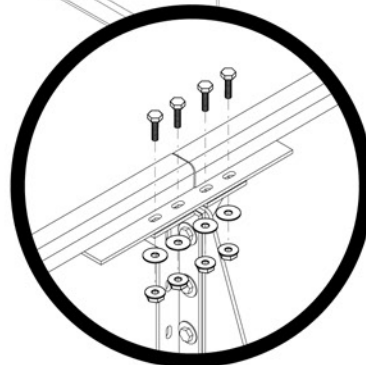
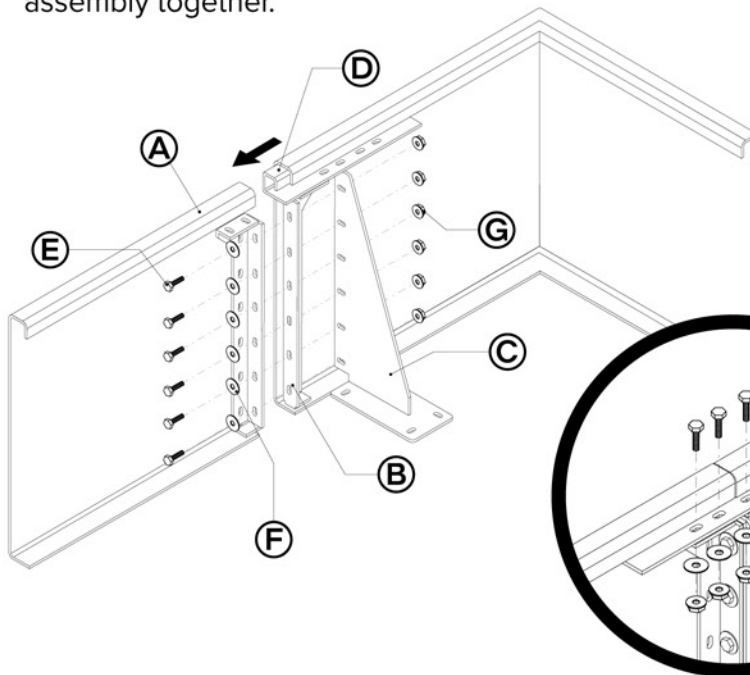
Ref	Description
A	Planterline Bespoke Panel
B	Panel Weldment Bracket
C	Triangular Support Bracket
D	Panel Joining Section

**FIXINGS**

Ref	Description
J	Self Adhesive Sealing Tape

3.2

Bring **Planterline Bespoke Panels** (A) together and slide **Panel Joining Section** (D) across, lining up all bolt holes. Bolt assembly together.



**PARTS LIST**

Ref	Description
A	Planterline Bespoke Panel
B	Panel Weldment Bracket
C	Triangular Support Bracket
D	Panel Joining Section

**FIXINGS**

Ref	Description
E	M8 x 30mm Hexbolt
F	M8 x 25mm Penny Washer
G	M8 Flange Nut

**IMPORTANT**

Do not fully tighten bolts until complete unit has been levelled and set in place.

We recommend using external grade sealant at all fixing holes.

Want more help?

Simply contact our technical support team on 01580 830688

4

### Position and level complete unit

Ensure unit is in correct final location, and is both vertically and horizontally level. Use nylon packers for adjustment. Sash clamps are recommended to support panels during final positioning.

Secure to base using **Concrete Sleeve Anchor Bolts** (H) as supplied. Finally tighten all panel securing bolts.

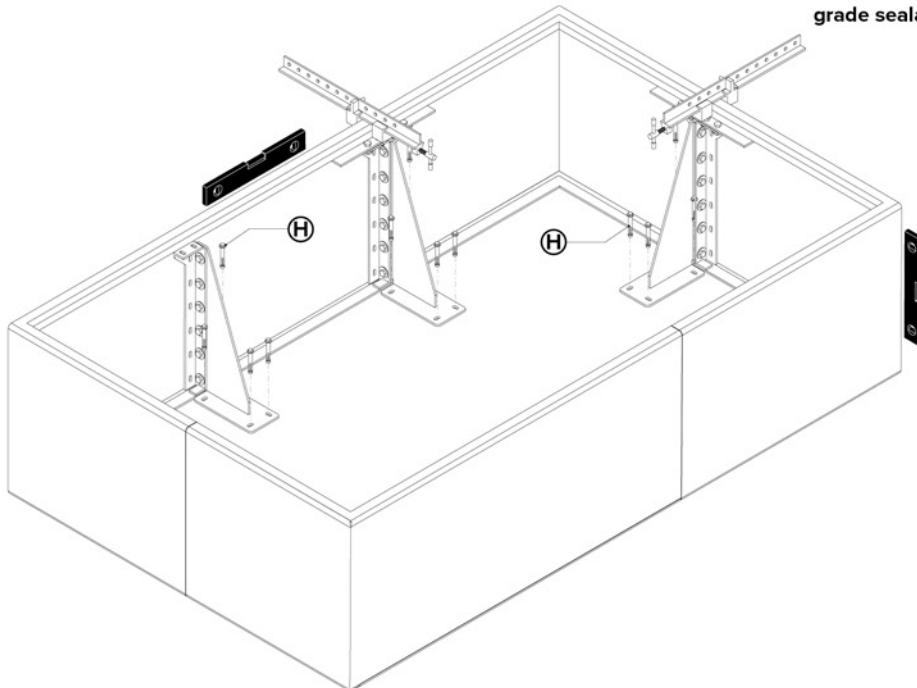
**FIXINGS**

Ref	Description
(H)	Concrete Sleeve Anchor Bolts

**IMPORTANT**

Do not fully tighten bolts until complete unit has been levelled and set in place.

We recommend using external grade sealant at all fixing holes.



**HANDLING AND HAZARDS**



**HEAVY SEGMENTS!**  
Requires two persons to lift each segment – or mechanical lifting device.



**HEAVY ITEMS!**  
Wear steel toe protection.



**SHARP CORNERS AND EDGES!**  
Wear gloves



**BE SAFE!**  
Wear high visibility clothing, hard hats, and any other PPE required on site.

**DISCLAIMER**

These instructions are for guidance only and the installer is responsible to use their discretion to install the products in the best possible way for their respective application. Kinley Systems will not be held liable for product failure or poor performance as a result of poor quality installation. If any errors are found in this guide please email us at sales@kinley.co.uk.

**SUPPORTING DOCUMENTS**

More information on the Planterline Bespoke products can be found at [www.kinley.co.uk](http://www.kinley.co.uk) in the Resource Centre. In particular, look for the CAD Drawings, Data Sheet (DS-PLBS) and the Terrace Book (BR-TB).

**Want more help?**

Simply contact our technical support team on 01580 830688

Northpoint, Compass Park, Staplecross, E.Sussex TN32 5BS  
 e: sales@kinley.co.uk  
 www.kinley.co.uk