

Installation Guide

Reference: IG-PLMO-0417

Planterline Modular

Folded steel planter panels

Tools Required

- ✓ 8mm spanner
- ✓ 8mm drill sockets
- ✓ Drill /impact driver
- ✓ SDS drill + 10mm masonry bits
- ✓ Level
- ✓ Tape
- ✓ String line
- ✓ Nylon Packers

Parts

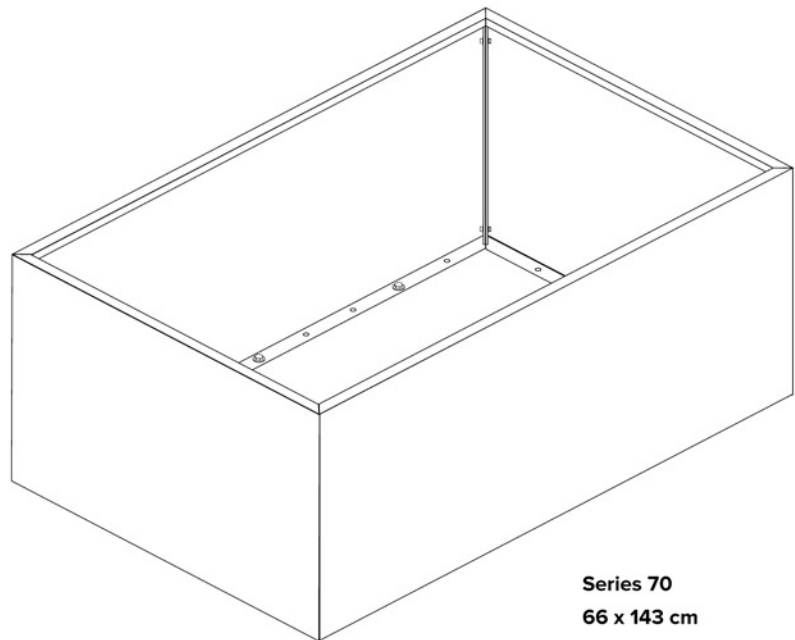
Ref Description

- Ⓐ Planterline Modular Panel

Fixings (included)

Ref Description

- Ⓑ M5 x 16mm Hex Bolt
- Ⓒ M5 x 20mm Penny Washer
- Ⓓ M5 Flange Nut
- Ⓔ Concrete Sleeve Anchor Bolt



Series 70
66 x 143 cm

1

Set out the base

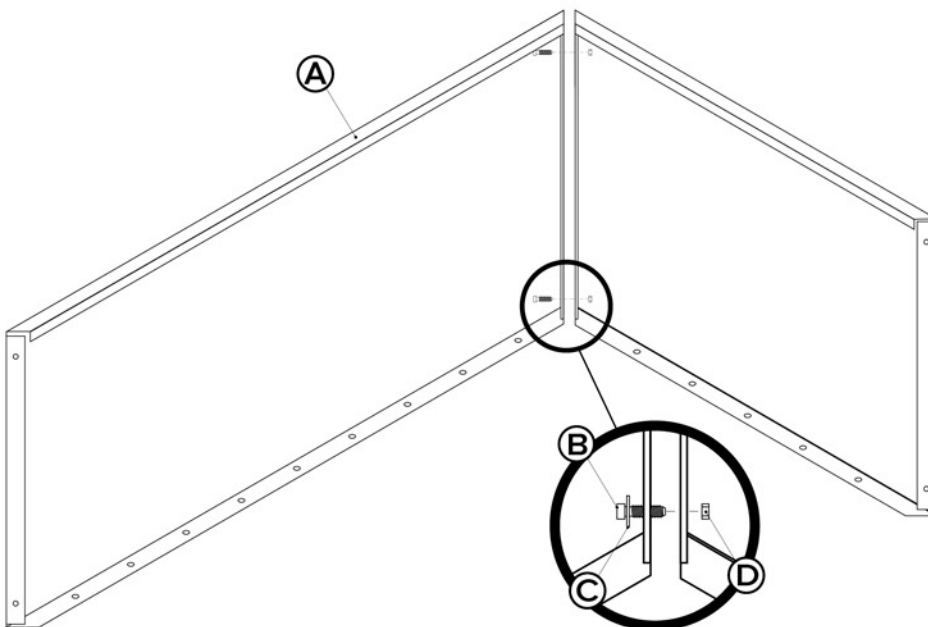
Prepare necessary concrete foundations for base of Planterline Modular Steel Planter as per Architects/ Production Drawings supplied.

Kinley recommend a minimum concrete depth of 150 mm for the planter walls and all fixings to be 100 mm away from the edge of the concrete. We recommend a continuous concrete race or concrete pads under the footplate. The final design and specification of the concrete foundation should be confirmed by the project engineer.

2

Joining two panels together

Align the two internal 45° end plates and secure with two **M5 x 16mm Hexbolt** (B), **M5 x 20mm Penny Washer** (C) and **M5 Flange Nut** (D) and bolt together.



PARTS LIST

Ref	Description
(A)	Planterline Modular Panel

FIXINGS

Ref	Description
(B)	M5 x 16mm Hex Bolt
(C)	M5 x20mm Penny Washer
(D)	M5 Flange Nut

IMPORTANT

Do not fully tighten bolts until complete unit has been levelled and set in place.

We recommend using external grade sealant at all fixing holes.

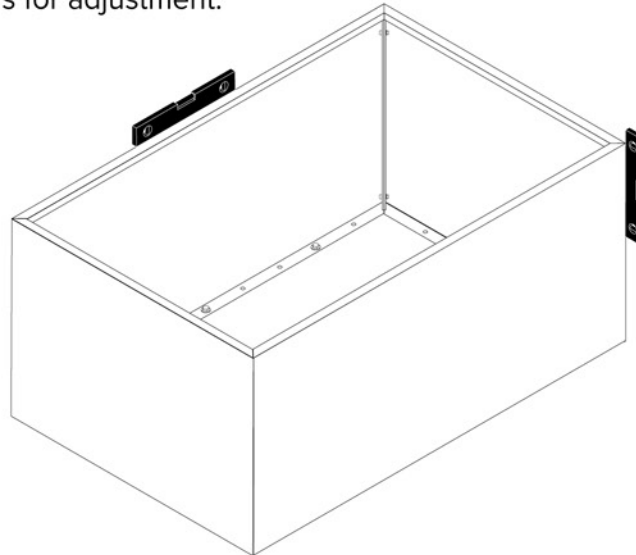
Want more help?

Simply contact our technical support team on 01580 830688

3

Position and level complete unit.

Ensure unit is in correct final location, and is both vertically and horizontally level. Use nylon packers for adjustment.



IMPORTANT

Do not fully tighten bolts until complete unit has been levelled and set in place.

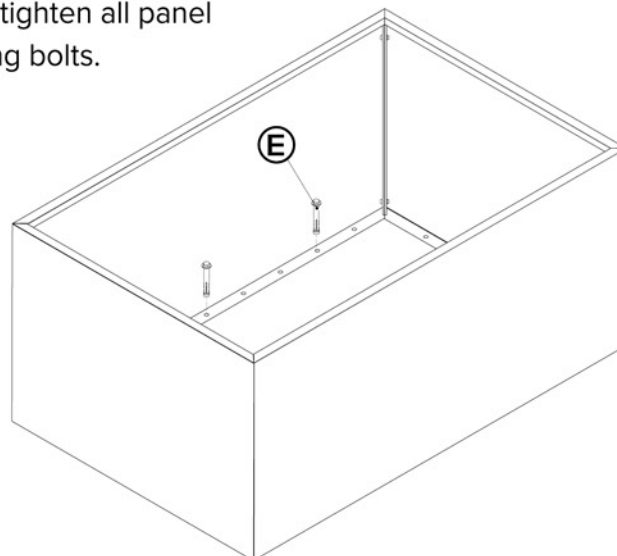
We recommend using external grade sealant at all fixing holes.

4

Secure complete unit to base.

Once unit has been correctly positioned and levelled, secure to base using **Concrete Sleeve Anchor Bolts** (E) as supplied.

Finally tighten all panel securing bolts.



FIXINGS

Ref	Description
(E)	Concrete Sleeve Anchor Bolts

Want more help?

Simply contact our technical support team on 01580 830688

HANDLING AND HAZARDS



HEAVY SEGMENTS!

Requires two persons to lift each segment – or mechanical lifting device.



HEAVY ITEMS!

Wear steel toe protection.



SHARP CORNERS AND EDGES!

Wear gloves



BE SAFE!

Wear high visibility clothing, hard hats, and any other PPE required on site.

DISCLAIMER

These instructions are for guidance only and the installer is responsible to use their discretion to install the products in the best possible way for their respective application. Kinley Systems will not be held liable for product failure or poor performance as a result of poor quality installation. If any errors are found in this guide please email us at sales@kinley.co.uk.

SUPPORTING DOCUMENTS

More information on the Planterline Modular products can be found at www.kinley.co.uk in the Resource Centre. In particular, look for the CAD Drawings, Data Sheet (DS-PLMO) and the Terrace Book (BR-TB).

Want more help?

Simply contact our technical support team on 01580 830688

Northpoint, Compass Park, Staplecross, E.Sussex TN32 5BS

e: sales@kinley.co.uk

www.kinley.co.uk