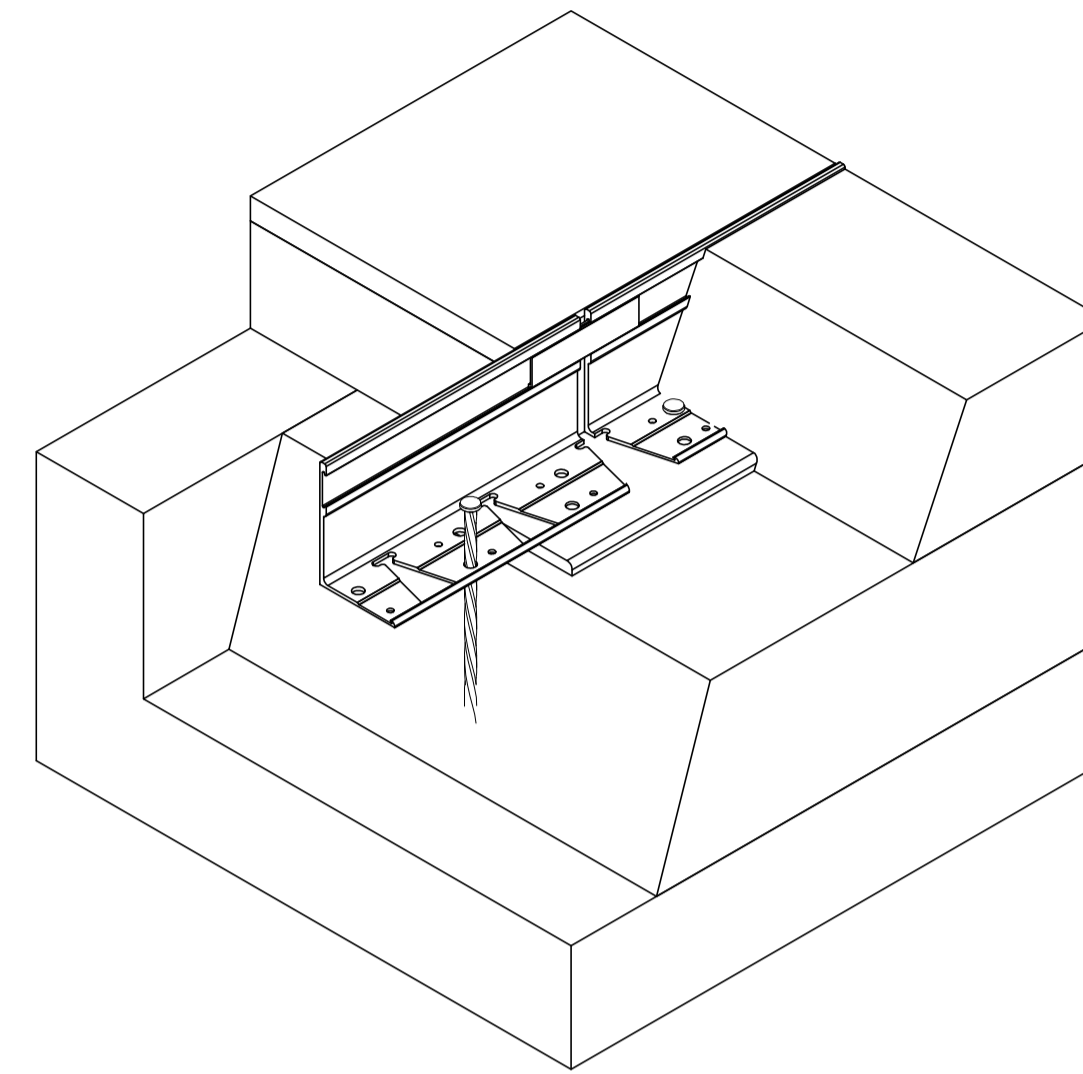
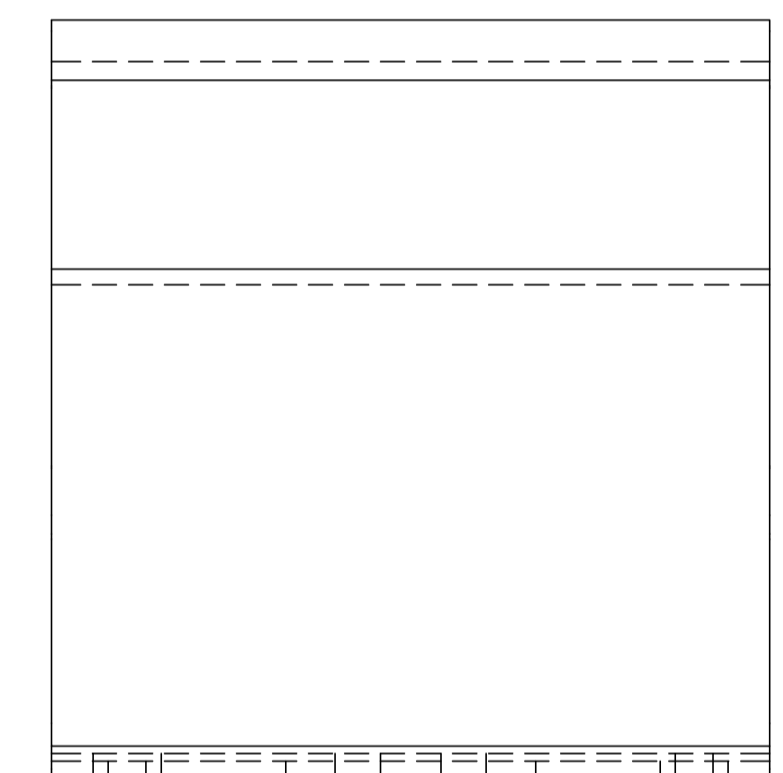
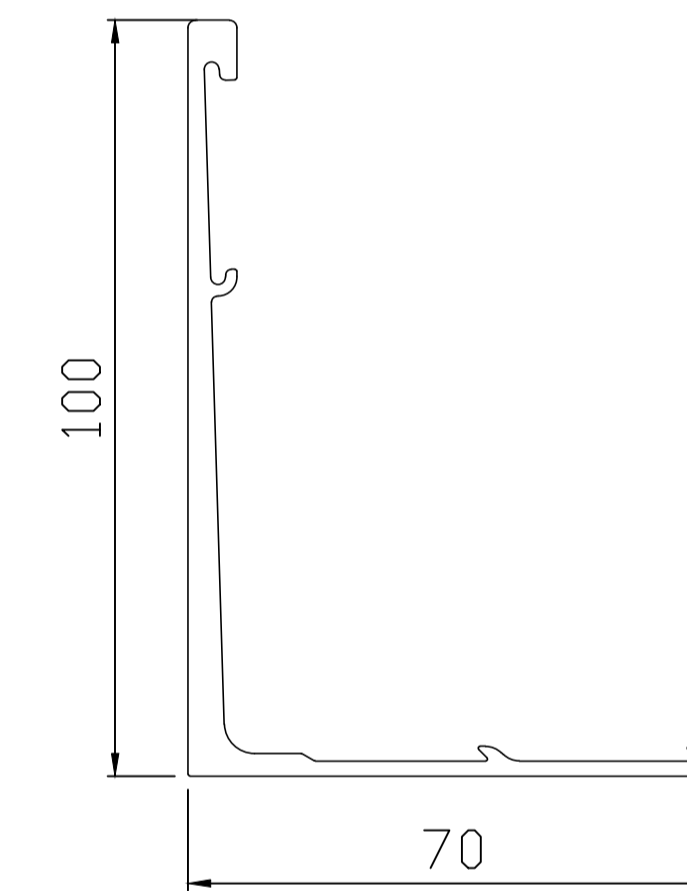
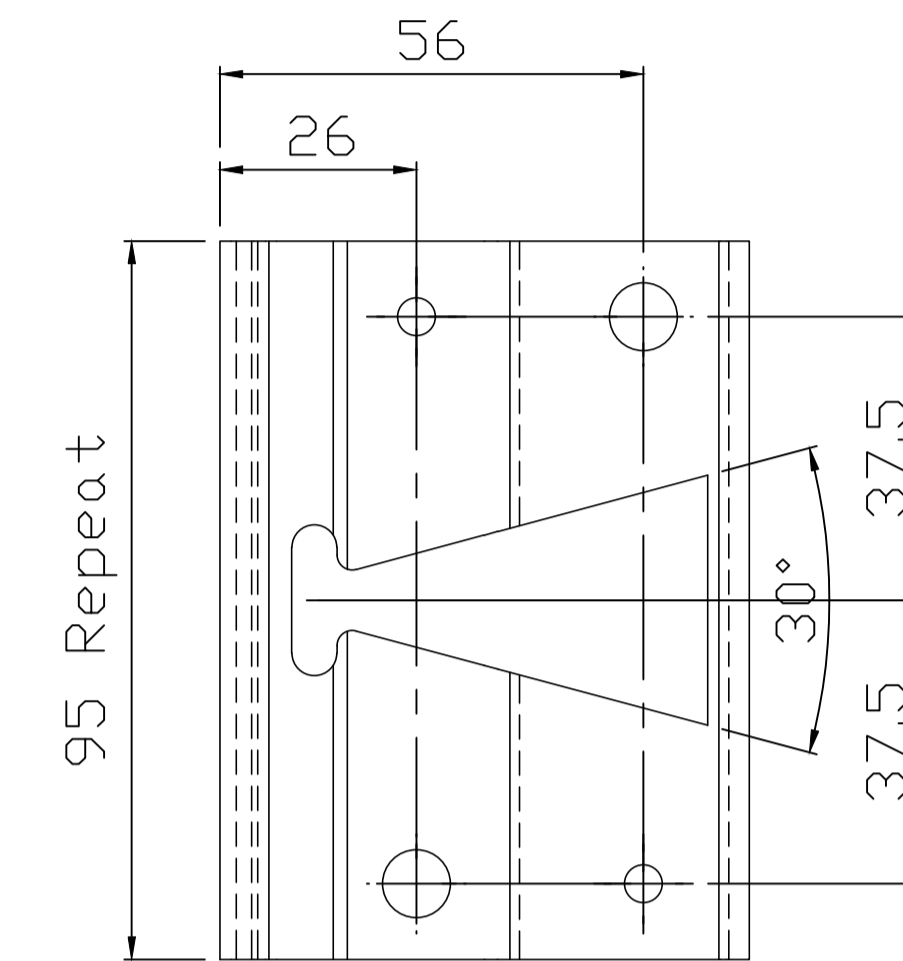


Cut-out pattern in extrusion to allow internal and external curves to be formed

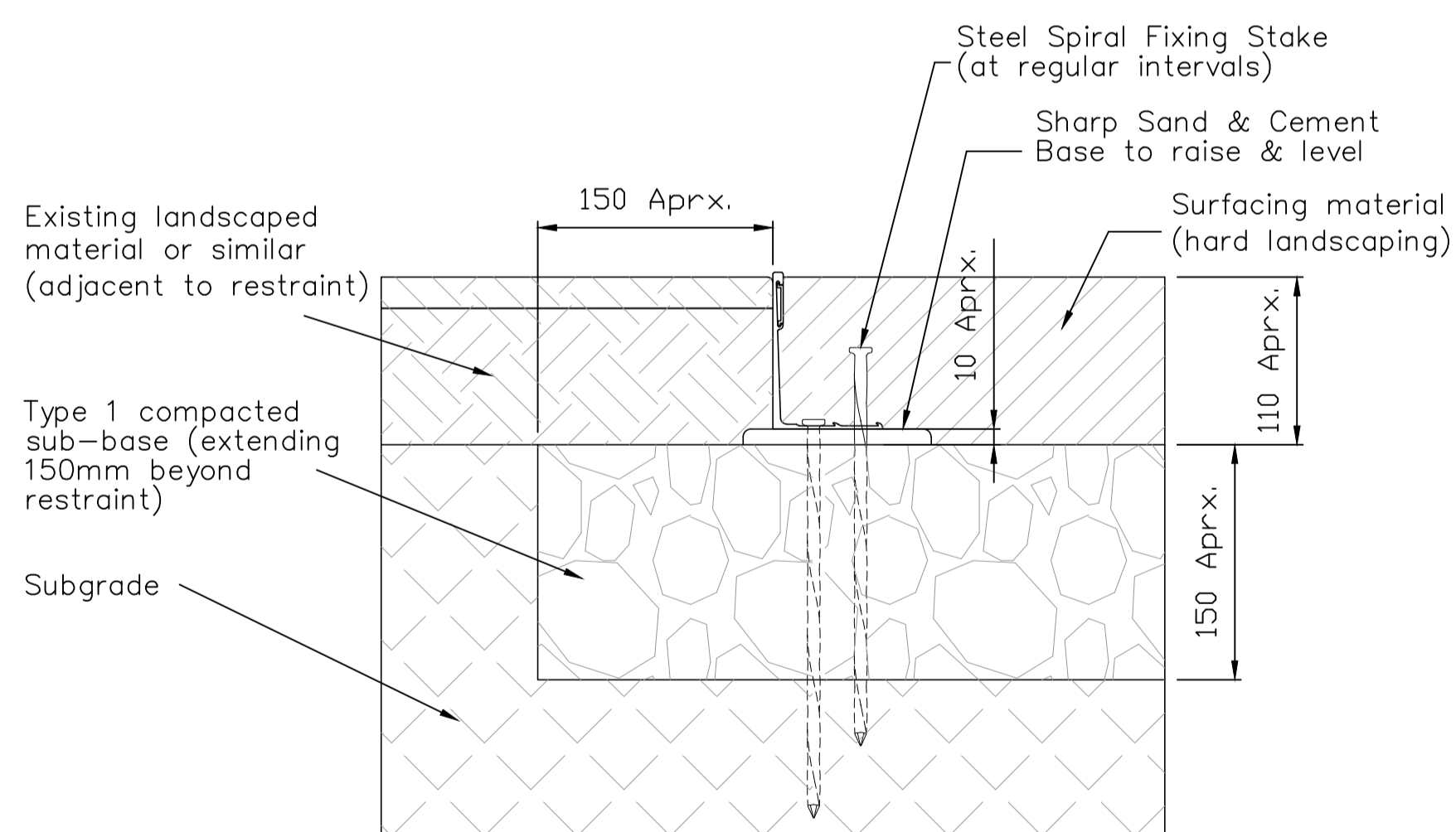
PLAN  
SCALE 1:4



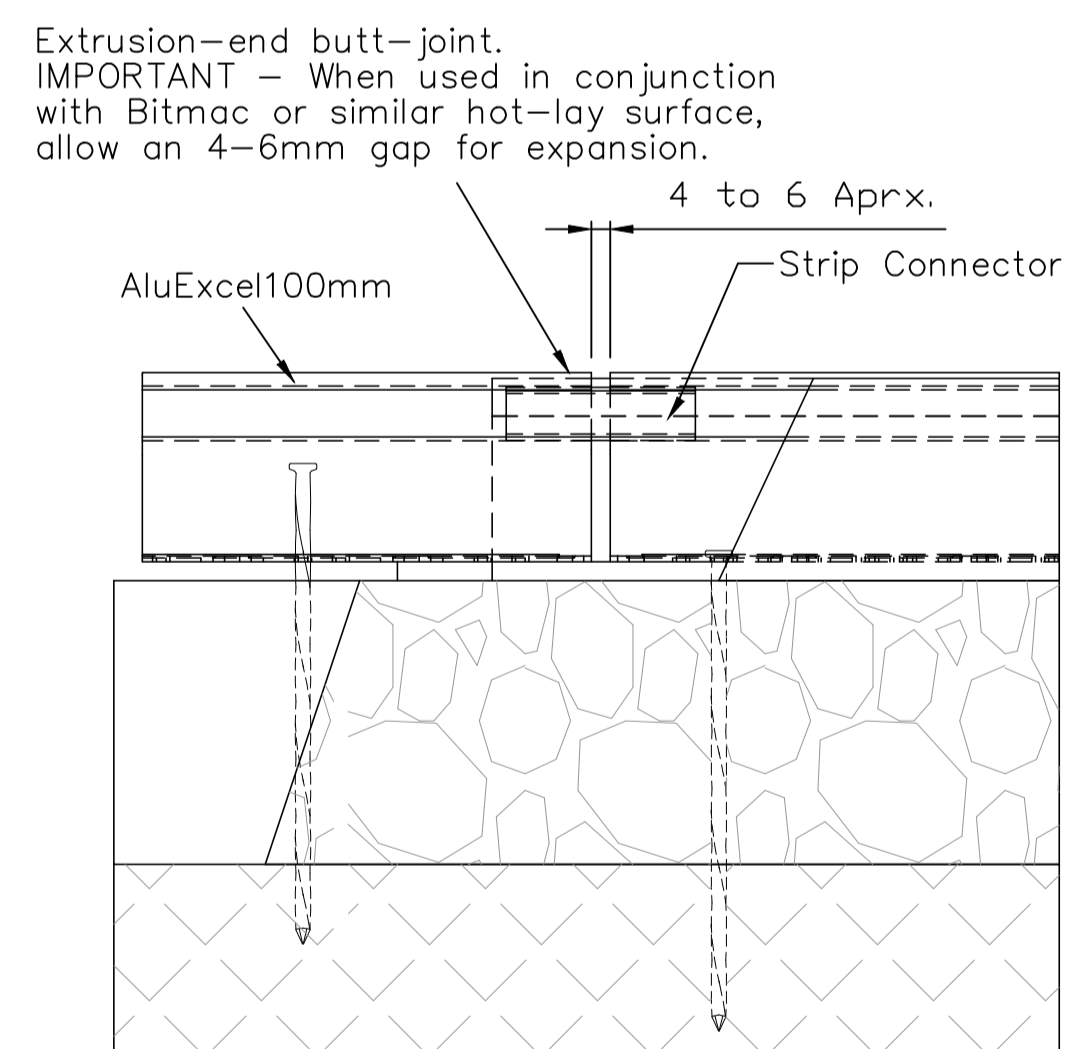
ISOMETRIC CUT-AWAY VIEW  
NTS



PROFILE DETAIL  
SCALE 1:1




SECTION  
SCALE 1:4



JOINER DETAIL  
SCALE 1:4

Note: AluExcel can be used in conjunction with sub-base materials other than those shown. Please contact our technical team on (0)1580 830688 to discuss your requirements.

Title				AluExcel 100 - Cad Drawing			
Scale	1:4	Size	A1	Sheet	1/2	Drawing No.	CD-AE100-1217
Edging	ExcelEdge	AluExcel					
Division	Collection	Range					
Kinley Systems Ltd, Northpoint, Compass Park, Staplecross, East Sussex, TN32 5BS +44 (0) 1580 830688 / sales@kinley.co.uk www.kinley.co.uk							 INSPIRED PLACES MADE POSSIBLE