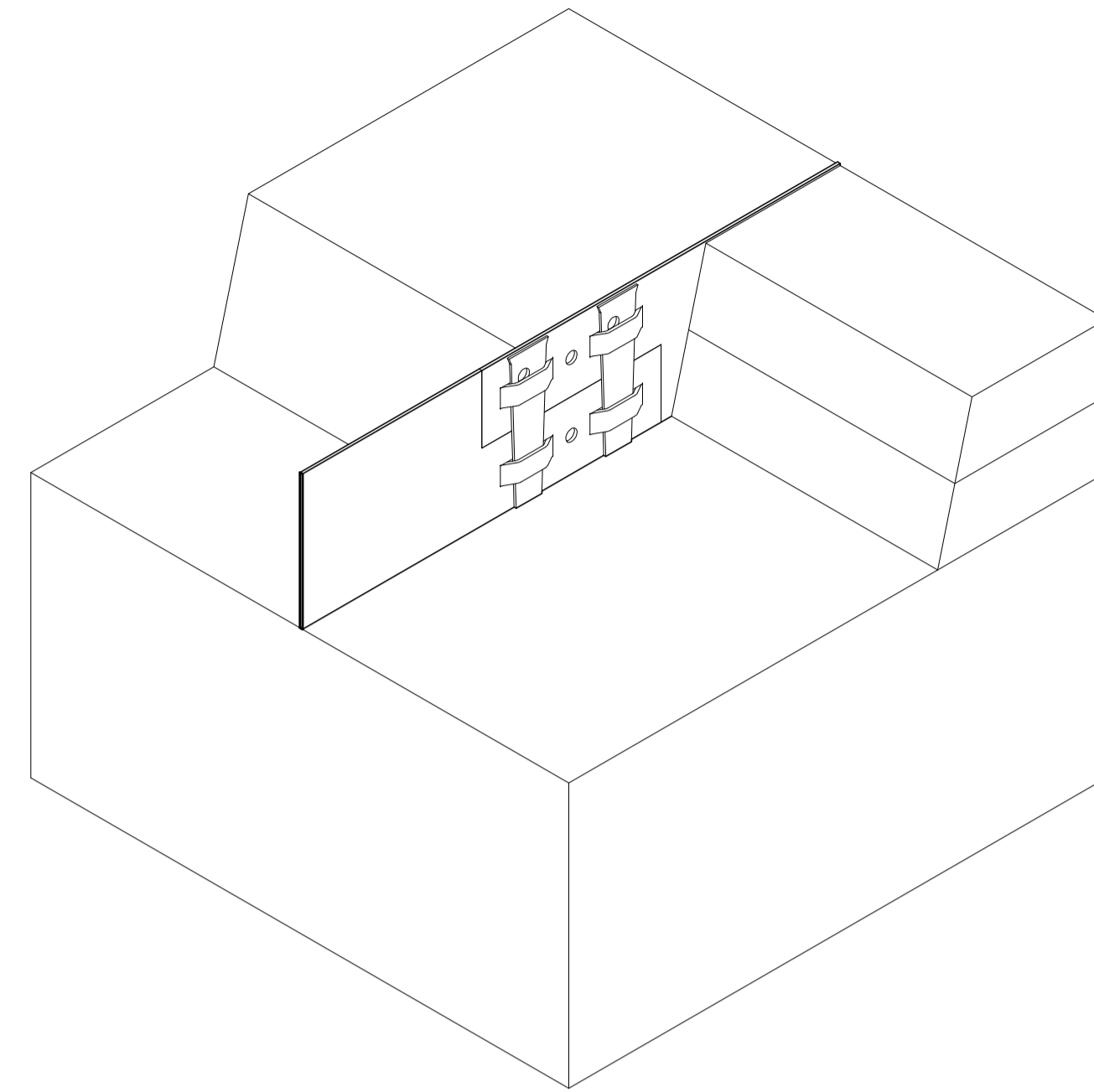
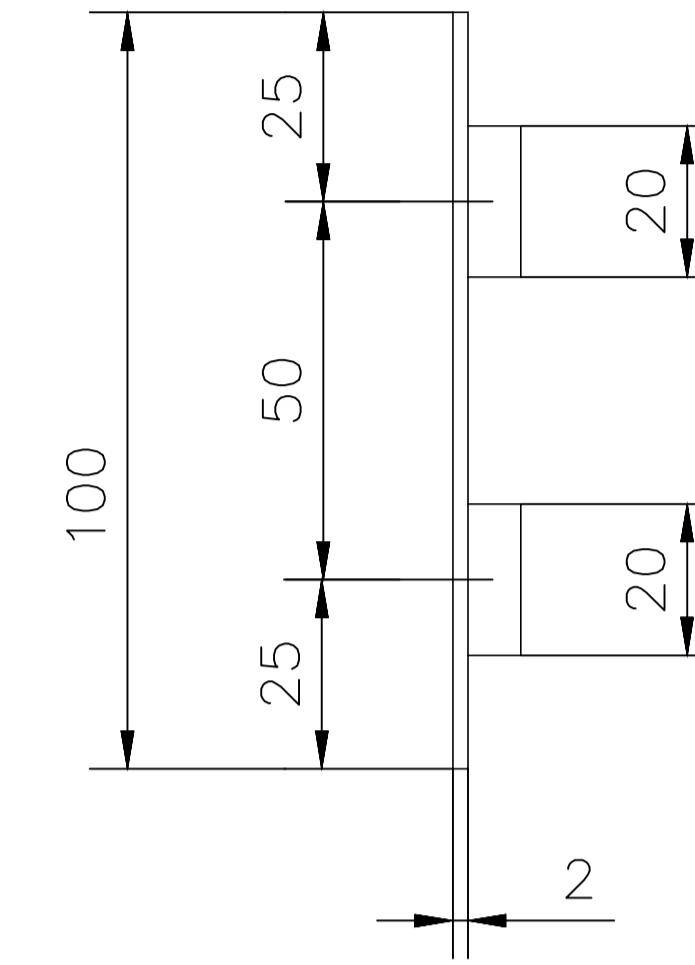


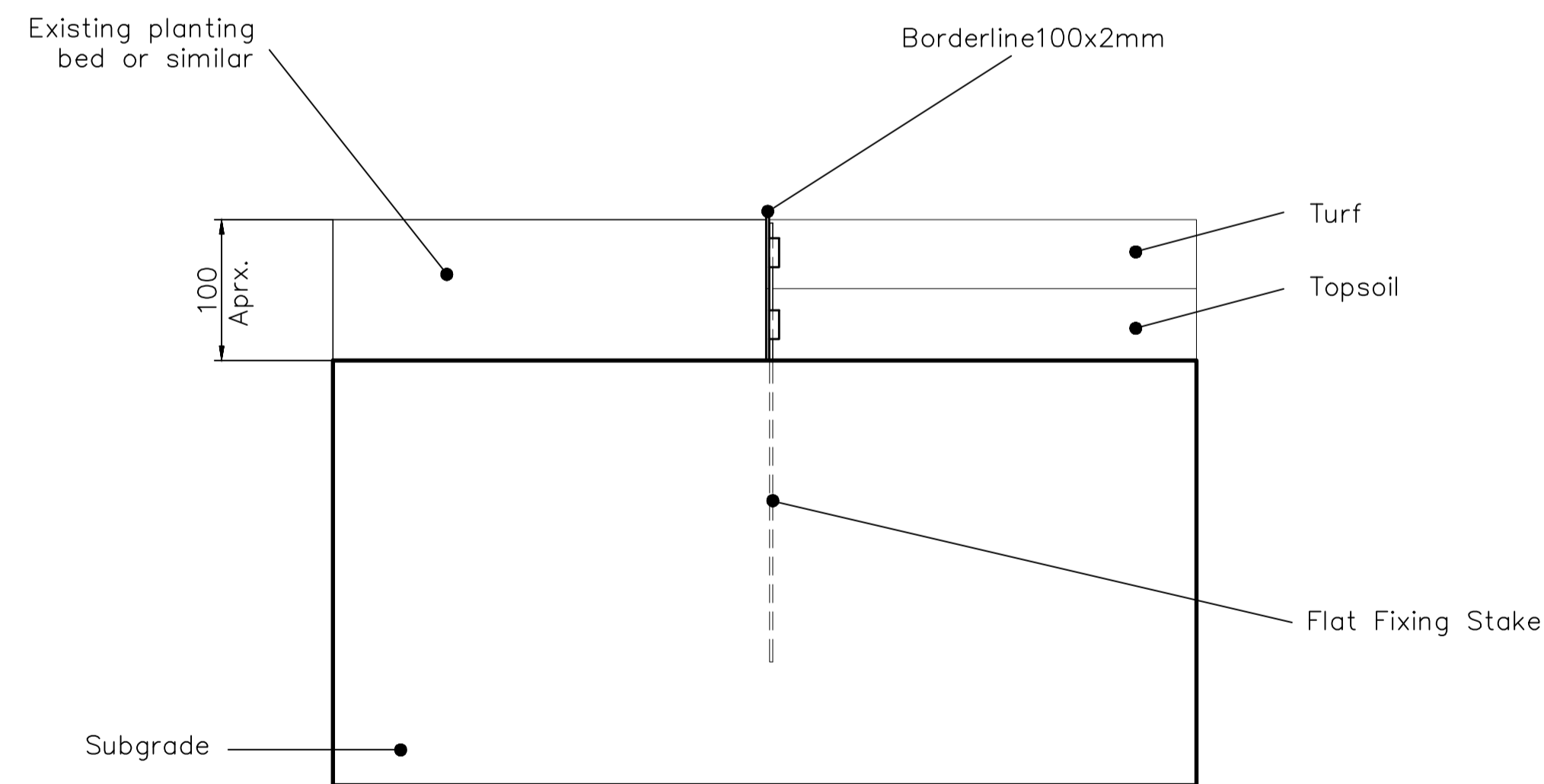
PLAN
SCALE 1:4



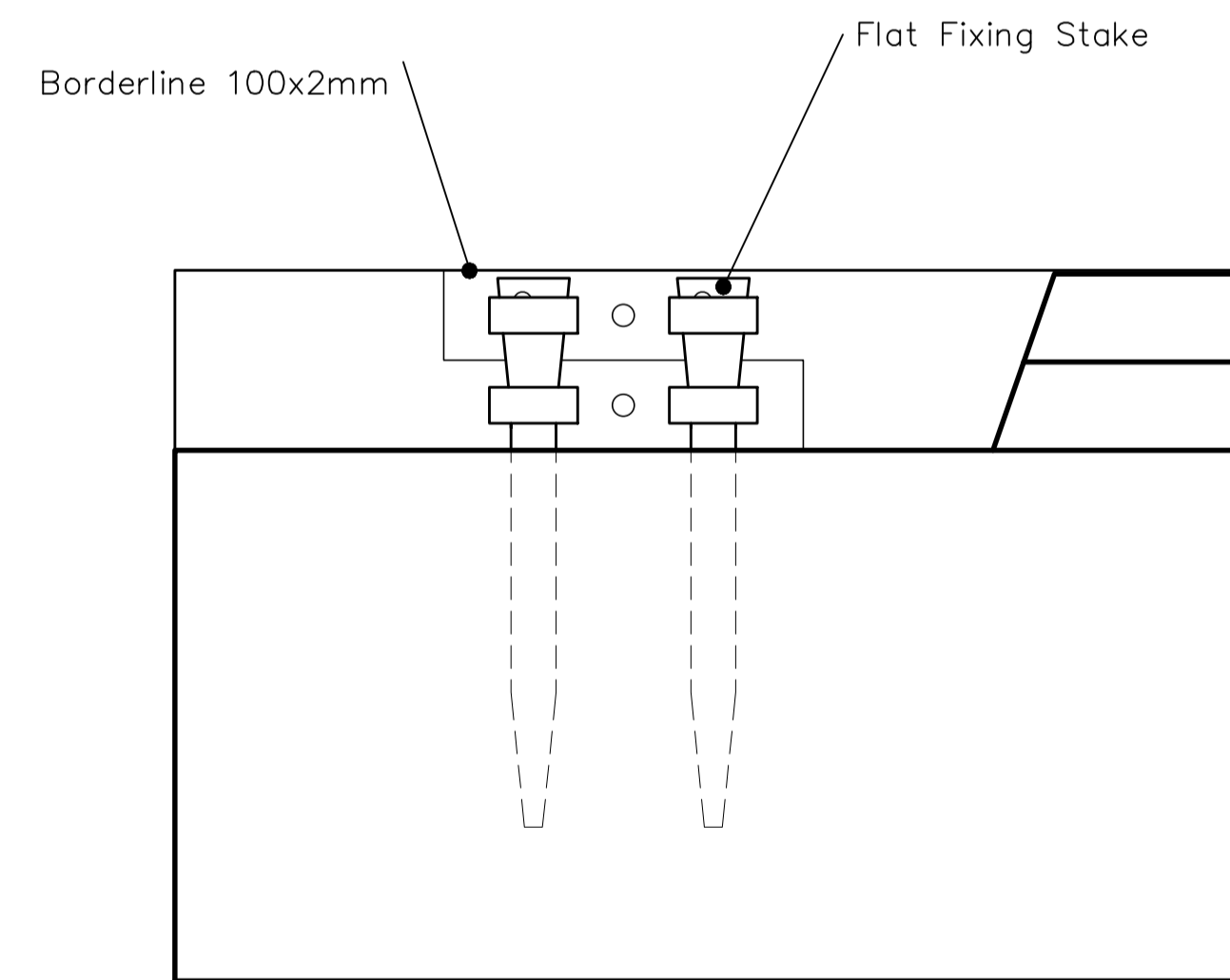
ISOMETRIC CUT-AWAY VIEW
NTS



PROFILE SECTION
SCALE 1:1

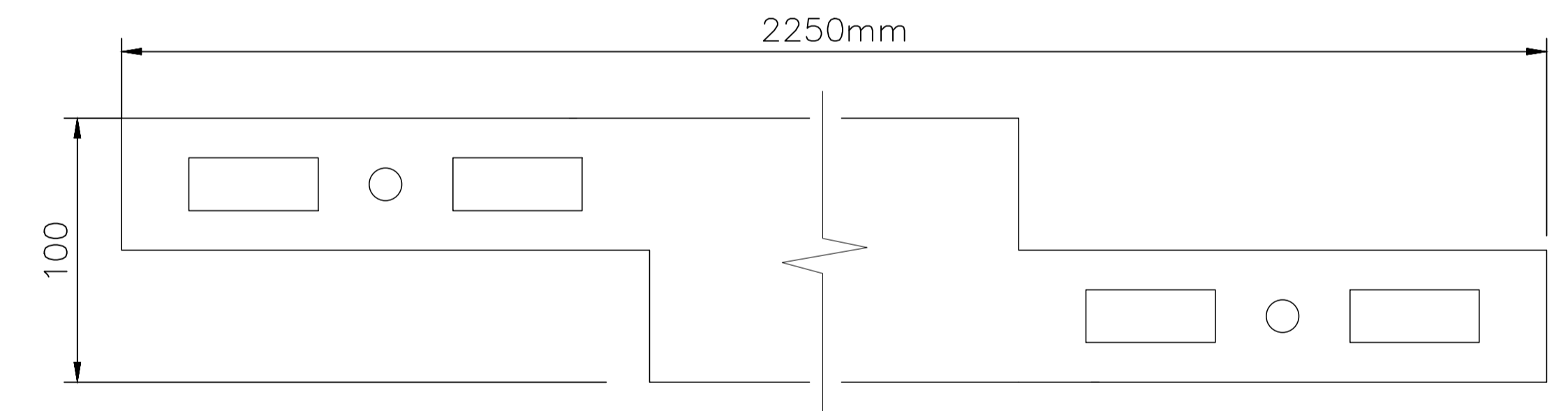


SECTION
SCALE 1:4

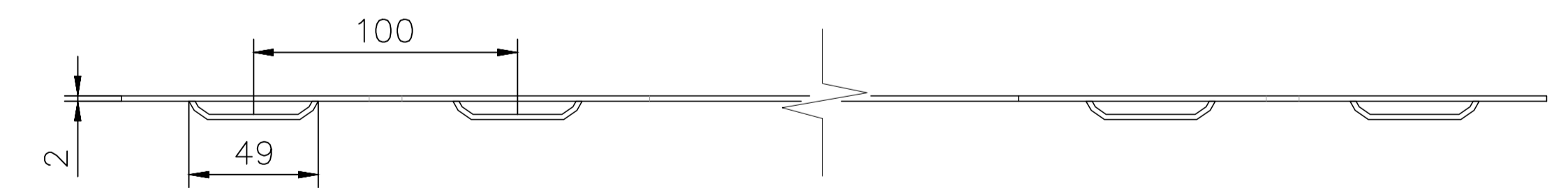


JOINT DETAIL
SCALE 1:4


STANDARD FOUNDATION



PROFILE ELEVATION
SCALE 1:2



PROFILE PLAN
SCALE 1:2

Title Borderline 20 - CAD Drawing			
Scale 1:4	Size A1	Sheet 1/1	Drawing No. CD-BL20-1217
Edging Division	ExcelEdge Collection	Borderline Range	 INSPIRED PLACES MADE POSSIBLE
Kinley Systems Ltd, Northpoint, Compass Park, Staplecross, East Sussex, TN32 5BS +44 (0) 1580 830688 / sales@kinley.co.uk www.kinley.co.uk			