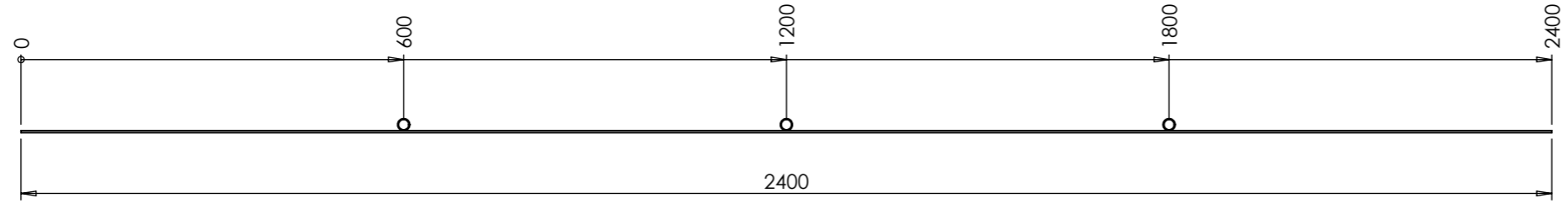
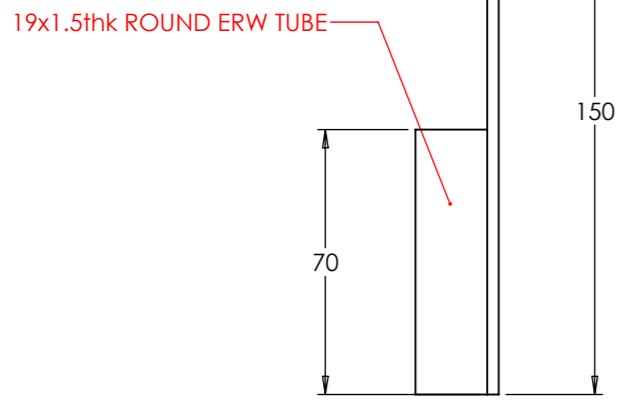
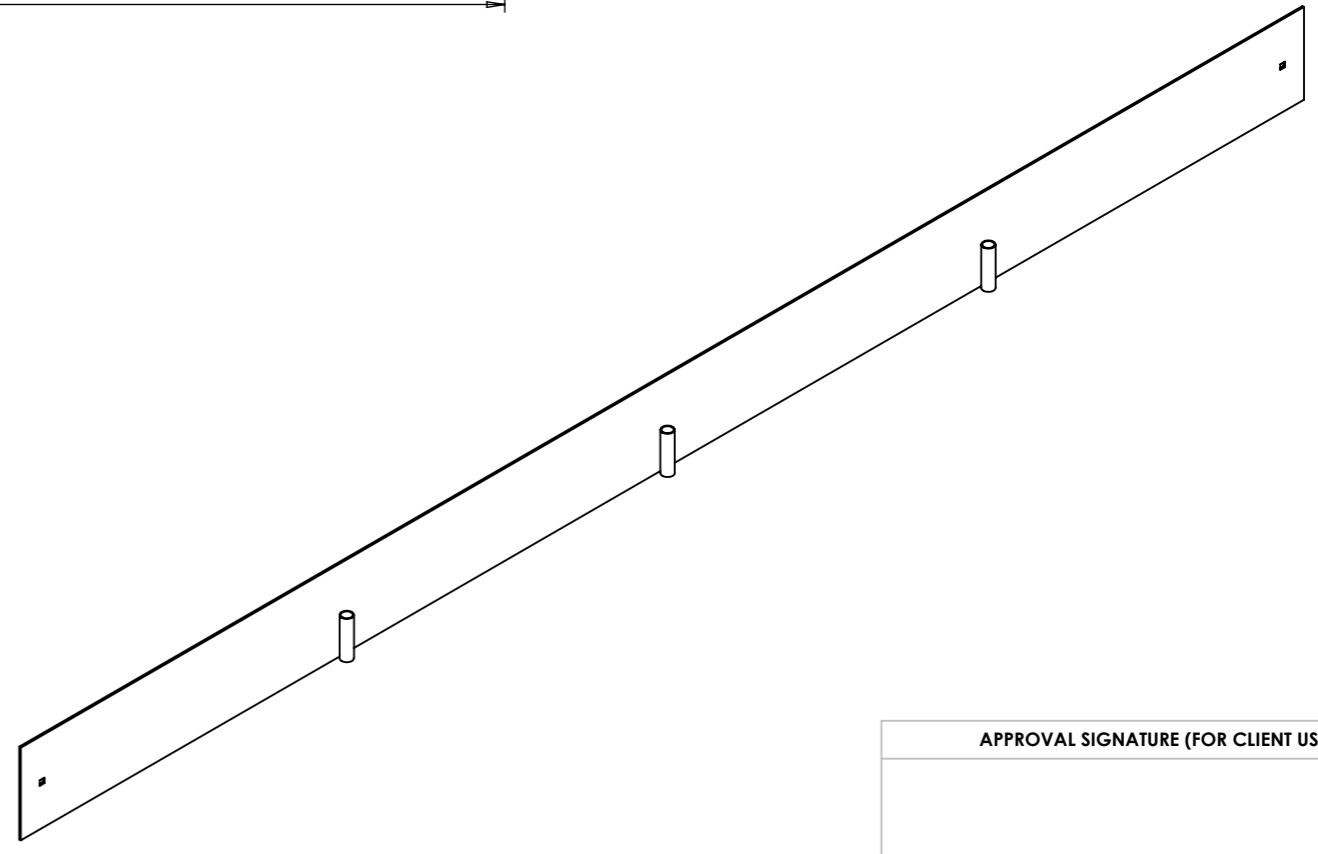


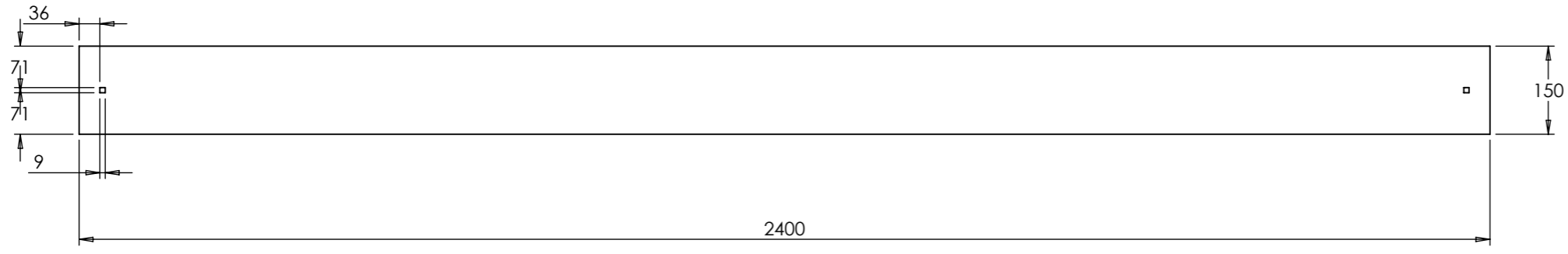
REVISIONS				
ZONE	REV.	DESCRIPTION	DATE	APPROVED
	M1	FOR MANUFACTURE	28/01/2021	




PLAN



L/H ELEVATION



FRONT ELEVATION

APPROVAL SIGNATURE (FOR CLIENT USE)		
NOTES		
<ul style="list-style-type: none"> FINISH = GALVINIZED QTY. TO BE MANUFACTURED = TOTAL WEIGHT = 9Kg 		
KINLEY WORKS TO A 2mm TOLERANCE		
DATE	SHEET NUMBER	SCALE
28/01/2021	1 OF 1	1:2
CLIENT	DRAWN BY	SHEET SIZE
KINLEY SYSTEMS	N.SNOW	A3
JOB TITLE	TOLERANCES	
URBAN EDGING	±2mm	
DRAWING TITLE		
URBAN EDGING 3mm		
JOB NO.	DRAWING NO.	REV.
KS02/2317	URBAN 3MM.A	M1
Kinley Northpoint Compass Park Staplecross East Sussex TN32 5BS Tel: 01580 830688 Web: www.Kinley.co.uk		 INSPIRED PLACES MADE POSSIBLE